

Manual de usuario, control de acceso i90

Fingerprint Standalone Access Control

Quick Installation Guide



A Technical Specifications

Fingerprint Capacity	1000	Card capacity	1000
Identification mode	Fingerprint /Card	Doorbell function	NO
Manual activation	NO	Sensing activation	NO
Sleep function	Yes	Red light prompts	Yes
Blue light prompts	Yes	Operating Humidity	20%~80%
Operating Temperature	0°C~45°C	Operating voltage	DC12V
Size	155 X 66 X 28(mm)		

B Create New User

Step1: Power on the device and enter the standby state.

Step 2: In the normal mode, first unscrew the back cover and press and hold the dismantlement round button, press 8118 on the back of the device, and then the blue light flashes, it enters the registration of "add permissions", press 3 times with the same finger (or swipe card directly), as two short "Di Di" beeps are heard, it indicates that the registration is successful; once a long "Di-" beep is heard, it indicates registration is failed, please register again.

Step3: Registration of fingerprint or card with "Deleting permission". In the normal operating mode, press 1881 on the back of the device, and then the blue light flashes, it enters the registration of "Deleting permission", press 3 times with the same finger (or swipe card directly), as two short "Di Di" beeps are heard, it indicates that the registration is successful; once a long "Di-" beep is heard, it indicates registration is failed, please register again. (Note: The user must first register separately at least an "Adding permission" and a "Deleting permission" fingerprint (or card), and then it's available to register the normal user. For a device, there are maximum 2 fingerprints (or 2 cards) are allowed to be registered as adding or deleting permission, meantime fingerprint or card with "Adding or deleting permission" can not open the door.)

Step 4: Register a new user. In the normal mode, first press the "Adding permission" fingerprint (or swipe card directly), When recognition is successful, the red light flashes, it's available to add a new user. Press 3 times with a finger (or swipe card directly), as two short "Di Di" beeps are heard, it indicates that the registration is successful; once a long "Di-" beep is heard, it indicates registration is failed, please register again. (Note: Continuous registration of new users is allowed; 6 seconds without any operation, it returns to the normal state)

C User Deletion

Two modes of user deletion

1. In the normal mode, first press the "Deleting permission" fingerprint (or swipe card directly), When recognition is successful, the red light flashes, Pressing the fingerprint need to deleted (or swipe card directly), as two short "Di Di" beeps are heard, it indicates that the registration is successful; once a long "Di-" beep is heard, it indicates registration is failed, please retry. (Note: When it enters deleting user process, it's allowed to continuously delete users. 6 seconds without any operation, it returns to the normal state) Once continuously press fingerprint of "Deleting permission" for three times, all the registered fingerprints will be deleted from the device (Except for fingerprint of "Deleting permission" and "Adding permission")

be input)

D SD Card Operation Of Uploading Downloading Registration Data

Download all registration data from the device to the SD card :

Step 1: Insert SD card into the relevant slot.

Step 2: Press "Adding Permission" fingerprint (or card), when the recognition is succeed, it will automatically download all the registration information to the SD card, say, the blue light is on for 1 second whereas the red light is off, and two short "Di Di" beeps are heard, it means the downloading is successful; say, the red light is on for 1 second whereas the blue light is off, and a long "Di-" beep is heard, it means the downloading is failed, please reupload.

Upload all registration information from the SD card to the device:

Step 1: Insert SD card into the relevant slot.

Step 2: Press "Deleting Permission" fingerprint (or card), when the recognition is succeed, it will automatically upload all the registration information to the device, say, the blue light is on for 1 second whereas the red light is off, and two short "Di Di" beeps are heard, it means the uploading is successful; say, the red light is on for 1 second whereas the blue light is off, and a long "Di-" beep is heard, it means the uploading is failed, please reupload.

E Initialization

In the normal operating mode, first unscrew the back cover and press and hold the dismantlement round button, press 8111, and the red and the blue light are keep flashing, the buzzer sounds three long and two short beep "Di - Di - Di - Di Di", it enters initialization mode. Once initialization is really required, press the number keys 8 to get it done, or it's required to cancel this operation, press the reset button or wait six seconds without operation that it returns to normal operating mode.

F Set Lock Drive Mode

For current relay duration is 6 seconds, although it can meet most of striker locks or magnetic locks requirement. However for those other electric lock which is only with 500ms pulse, the long duration may get the device damaged, therefore it's necessary to have unlocking drive mode setting:

Unlocking mode 1 (Defaulted mode): After recognition, the relay action duration will be 6 seconds, it's the defaulted mode after firmware burnt, or it can be set by digit combination of 11188.

G Wiring Diagram

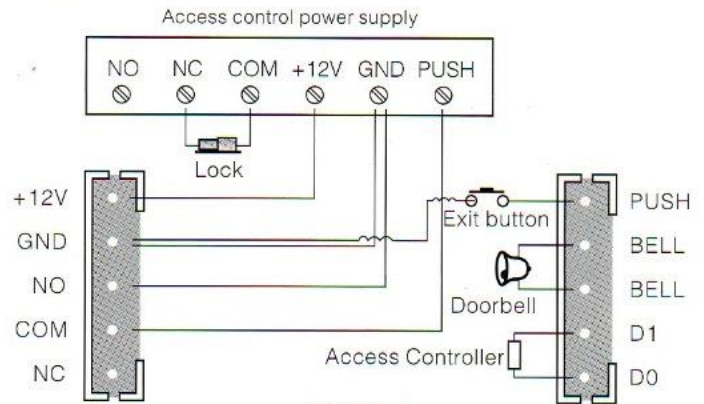


Diagram 5

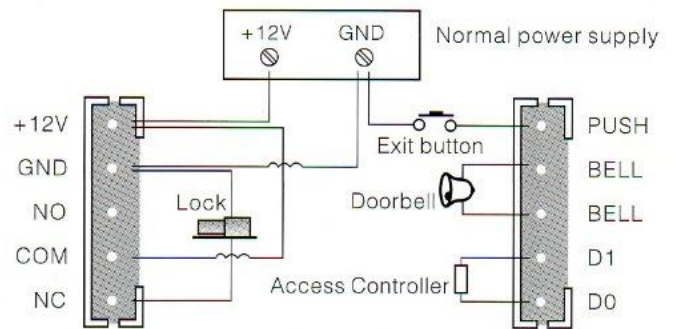


Diagram 6

Note: The figure 5 is for exclusive access power wiring diagram; graph 6 is for normal power wiring diagram. Access control power supply is always recommended.

Hint: After power on the device, once the tamper alarm is not started, no need to press and hold the tamper button during the operation. (After power on the device, press tamper alarm button once then the tamper alarm is started)